

 **BREED®**

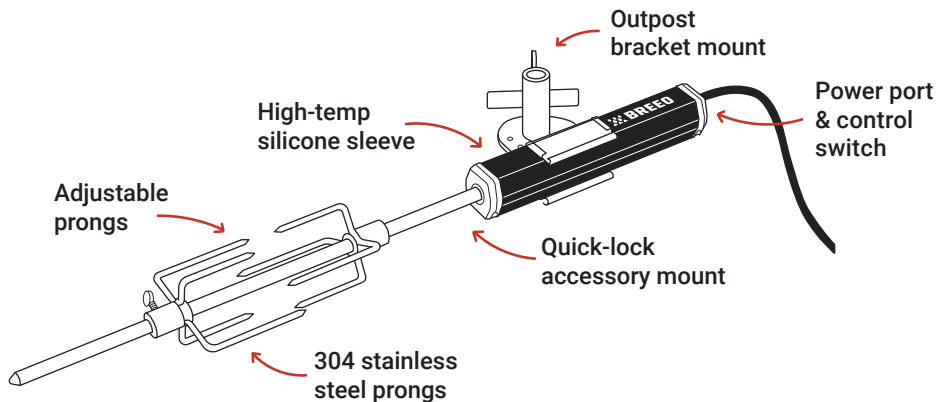
**USER
GUIDE**



ROTISSERIE

ULTIMATE LIVE-FIRE COOKING TOOL

The Breco® Rotisserie is an essential live-fire cooking attachment for your Breco Fire Pit or Live-Fire Grill. It is designed with a quick-connect mount to easily switch between multiple 304 stainless steel accessories to fit your cooking needs. The drive motor is built from a solid die-cast aluminum body covered in a high-temperature silicone sleeve, making it extremely durable. The Rotisserie has a variable speed of a 3-12 rpm motor that can dial in your cooks and avoid burning. The included outpost bracket integrates the Rotisserie onto your existing Outpost Rod.



FEATURES

CONSTRUCTION: High-temp silicone outer sleeve protects the Rotisserie from damage and the elements, while being easy to clean. The solid cast aluminum body is built for durability and high heat while still being lightweight.

ADJUSTABLE PRONGS: Securely hold food of any size (*max weight 20 lbs*)

MULTI-POWER OPTIONS: Rechargeable battery pack, AC adapter, or solar power 12v power (*solar power not included*)

QUICK-LOCK ACCESSORY MOUNT: Fast setup and easy breakdown

PRECISION ROTATION: Adjustable 3-12 rpm speed

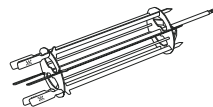
ADDITIONAL ATTACHMENTS: These three attachments make the Breco Rotisserie a complete live-fire multi-tool. **Sold separately*



Tumble Basket



Flat Basket



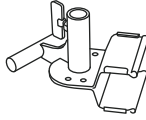
Skewers

ASSEMBLY INSTRUCTIONS

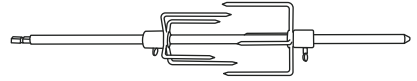
PARTS INCLUDED



Rotisserie Motor x1



Outpost Bracket x1



Prongs x1



Battery Pack x1



6 ft Power Cable x1

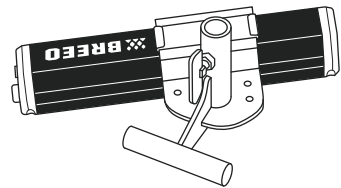
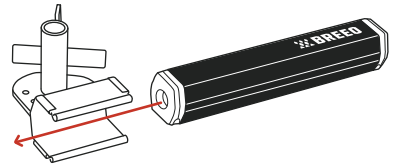


AC Adapter & Wall Charger x1

1 INSTALL THE MOTOR

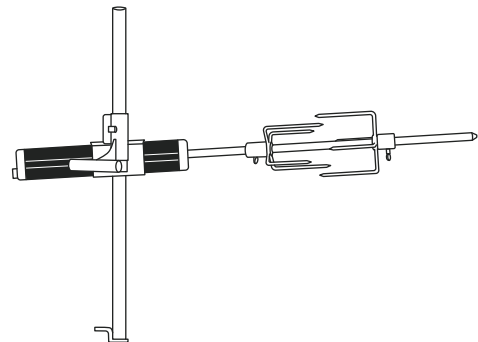
Slide the Rotisserie motor onto the outpost bracket from the rear of the motor. It can be adjusted from front to back to adapt to different-sized fire pits. Proper installation into the bracket is essential for the function of the Rotisserie. Make sure the Breeo logo is facing up and the bracket is oriented correctly, with the two holes facing front and the locking tab is on top of the handle. Slide the bracket onto the Outpost Rod and tighten.

You will know everything is correct because the Rotisserie is designed to be at a slight upward angle to compensate for the weight of what you are cooking. If it is pointed down towards the fire, it is wrong!



2 ADD ATTACHMENTS

Attach the prongs, or other attachments, to the motor by inserting the square end of the rod into the front bearing of the Rotisserie. Slide in and rotate to align the chuck. Gently push until you hear a click, and it stops. To remove, turn off the motor and pull straight out of the motor the same way. It will unclick and move freely from the Rotisserie.



BATTERY USE & CARE

To use the battery pack with the Rotisserie, plug the unthreaded connector end of the cord into the Rotisserie motor and thread the water-resistant cap onto the battery end.

After the battery is connected, turn the power knob to the right to turn on and to adjust the speed. Battery run time will vary based on the weight of the cooking material. Typical run time is 6-10 hours on a single charge.

While running, rest the battery on the ground away from the Fire Pit or Live-Fire Grill. The Lithium-ion battery pack can be recharged without limitations, as the battery is designed for a slow charge process (3 hours for full charge), which helps the battery pack last longer.



BATTERY WARNING

Do not modify or disassemble the power bank. Do not throw the power bank into fire or water.

Keep the battery and cable away from any heat source. Failure to do so could result in damage or harm to you or the product.

Please use a qualified AC/DC 12.6V 0.5-3A lithium-ion battery charger to charge the battery. ***When the power bank is charging, do not place it on flammable materials, such as the bed or carpet.***

⚠ WARNING: Lithium-ion batteries and products that contain lithium-ion batteries can expose you to chemicals including cobalt lithium nickel oxide, and nickel, which are known to the State of California to cause cancer and birth defects or other reproductive harm. For more information, go to www.P65Warnings.ca.gov.



USE & CARE

The Rotisserie motor may become greasy or dirty with use. To clean, disconnect from the power and wipe down with a damp or lightly soapy rag. **Do not wash or submerge the Rotisserie motor in water.**

The 304 stainless steel accessories can be washed with soap and water.

If there is squeaking from the bearing or chuck, apply a few drops of a food-grade oil inside.



WARNING

Keep the main Rotisserie motor out of direct heat source, hang it to the outside of the fire pit or grill. Failure to do so could result in damage or harm to you or the product. Do not submerge the Rotisserie in water or liquid.

Do not exceed the Rotisserie motor's 20 lb. max turn weight. If the Rotisserie weight limit is reached, the motor will be cut off for safety. To reset, reduce the weight and cycle the power switch off and on once. Only use as intended. Do not overload.

Always practice safety first when using the Rotisserie and accessories; exercise the same precautions you would with any open fire.

Never leave your Breco® Fire Pit, Grill & accessories unattended, especially around children and pets. The Rotisserie and attachments become very hot in use and can cause severe burns. Do not touch when hot. Avoid touching sensitive surfaces with the Rotisserie attachments when they are hot. When adjusting the height or orientation of your Rotisserie, always wear protective gloves or use other heat protection to avoid burns

⚠ WARNING: This product can expose you to nickel, which is known to the State of California to cause cancer and birth defects or reproductive harm. For more information go to www.p65warnings.ca.gov



WARRANTY

Lithium Battery + Cables: Warranty Length 1 Year

Coverage: Manufacturing defects, performance degradation beyond expected thresholds. This warranty does not cover: Normal wear and tear or capacity loss due to age and usage beyond the specified warranty period. Damage caused by misuse, neglect, accident, improper installation, or unauthorized tampering and /or modifications. Exposure to environmental elements resulting in damage. Overcharging or deep discharging, Immersion in liquids, Use with incompatible devices or chargers. Improper Use or Handling: Striking, dropping, throwing.

Rotisserie Drive Unit: Warranty Length 1 Year

Coverage: Manufacturing defects, performance degradation beyond warranty period. This warranty does not cover: Normal wear and tear. Exposure to environmental elements resulting in damage. Damage from incompatible battery/controller combinations. Use outside of rated load range. Improper Use or Handling: Striking, dropping, throwing, or immersive drive unit in liquid.

Rotisserie Stainless Steel Prongs: Limited Lifetime Warranty

Breco, LLC warrants to the original purchaser that the Breco Fire Pits and Accessories are free from workmanship and material defects during the lifetime of the original purchaser. In addition Breco, LLC warrants no rust through or burn through for a period of five (5) years from purchase. If a product is covered by this limited warranty, Breco, LLC, at its option, will repair or replace with a new product free of charge, excluding any applicable shipping and handling charges. If the product being warranted has been discontinued, the replacement product will be of equal or similar value. Altering any Breco product, or using the product in any way other than the intended use, will void this Lifetime Warranty. Except as provided above, no warranty is offered on rust, paint or finishes due to being made with material with potential for corrosion. Steel products will develop a natural iron oxide patina over time.

Breco, LLC's liability and obligation is limited to repair or replacement of the product, at their option. The purchaser must provide Breco, LLC with photos of the product's defects for evaluation. Upon approval of warranty, Breco, LLC will issue a return for repair, or return for exchange of the defective product.

This warranty does not cover damage or product failure caused by normal wear and tear, accident, misuse, negligence, tampering, modifications, act of war, overloading, improper attachment, improper maintenance, or failure to maintain. Breco, LLC is held harmless for any injury or death caused by the misuse of this product. This warranty does not cover damage caused by proper or improper use of our products to any surrounding surfaces, structures, or furnishings. This includes, but is not limited to, discoloration or damage to a patio or deck surface, furniture, house, or any other structure.

This warranty gives you specific legal rights providing said product is put to its proper designated use. THIS WARRANTY IS EXPRESSLY IN LIEU OF ALL OTHER WARRANTIES, EXPRESS OR IMPLIED, INCLUDING THE WARRANTY OF MERCHANTABILITY AND FITNESS FOR A PARTICULAR PURPOSE. NO ORAL AGREEMENT, GUARANTEE, PROMISE, REPRESENTATION OR WARRANTY SHALL BE BINDING. IN NO EVENT WILL BRECO, LLC BE LIABLE FOR ANY SPECIAL, INDIRECT, INCIDENTAL OR CONSEQUENTIAL DAMAGES EVEN IF BRECO, LLC HAS BEEN ADVISED OF THE POSSIBILITY OF SUCH DAMAGES AND EVEN IF BRECO, LLC HAS KNOWLEDGE THAT FAILURE TO PERFORM COULD CAUSE CONSEQUENTIAL ECONOMIC LOSSES. IN ANY EVENT, CUMULATIVE DAMAGES FOR BREACH OF THIS WARRANTY WILL BE LIMITED TO THE AMOUNT ACTUALLY PAID TO BRECO, LLC FOR THE PRODUCT. THIS PARAGRAPH SHALL APPLY TO ALL ACTIONS RELATED TO THE PRODUCT, WHETHER BASED ON TORT, CONTRACT OR OTHER THEORIES. THE PURCHASER ACKNOWLEDGES THAT THIS PARAGRAPH ALLOCATES THE RISK OF PRODUCT FAILURE BETWEEN BRECO, LLC AND THE PURCHASER, AND THAT THIS ALLOCATION IS REFLECTED IN THE PRICE PAID.

EARN POINTS & ENJOY MEMBERSHIP BENEFITS

BECOME A FIREMASTER

- 1 SIGN UP**
Create an account and earn points.
breco.com/pages/rewards
- 2 EARN POINTS**
Every time you shop.
- 3 REDEEM POINTS**
For exclusive discounts and products.



BRECO.COM

(800) 413-9848

CONTACT@BRECO.COM

©2025 Breco LLC. All rights reserved. 05/25

Designed in Lancaster, PA.

Produced with a Trusted Partner Overseas.

**SHARE & TAG
US ON SOCIAL**



@BRECO